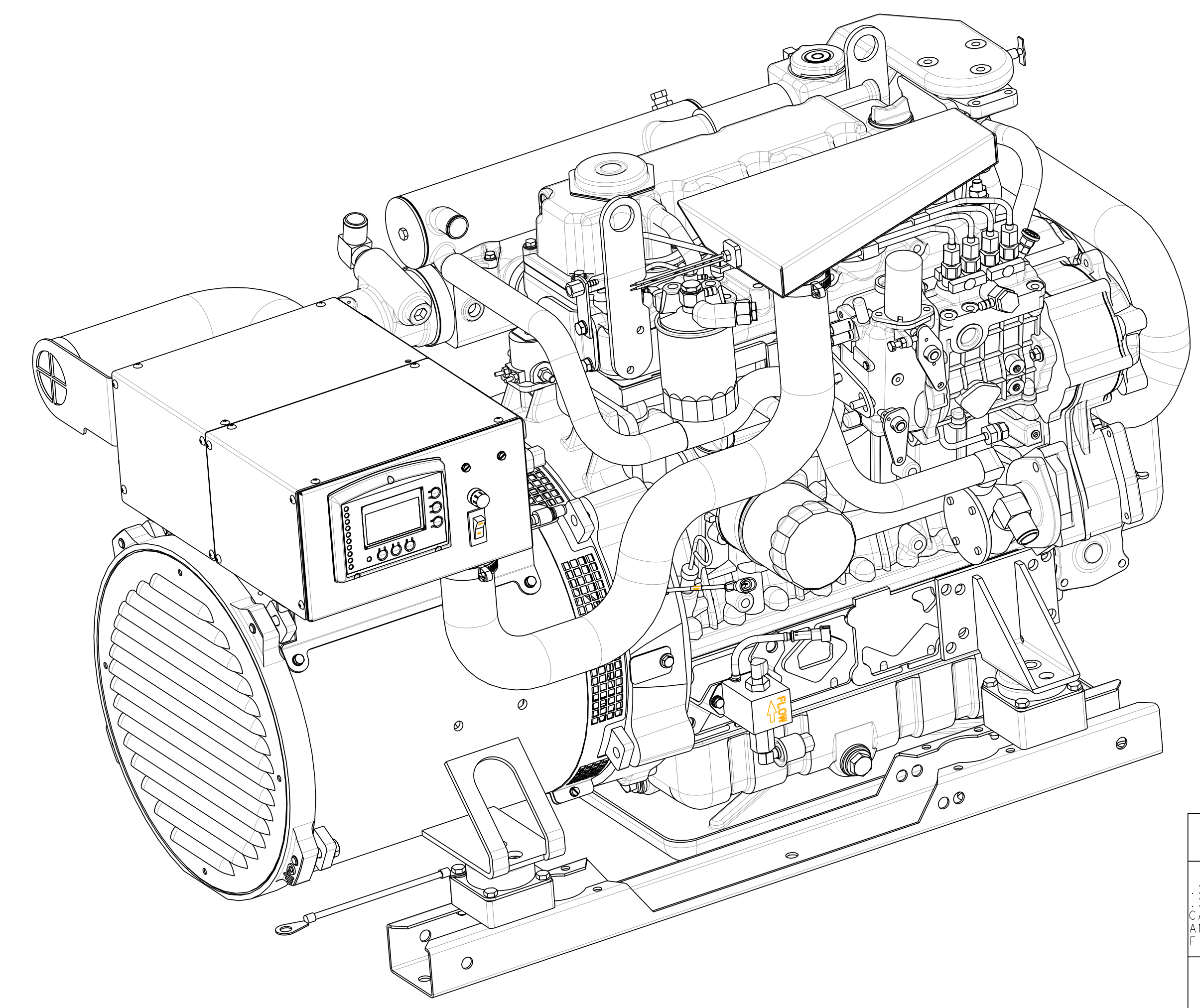
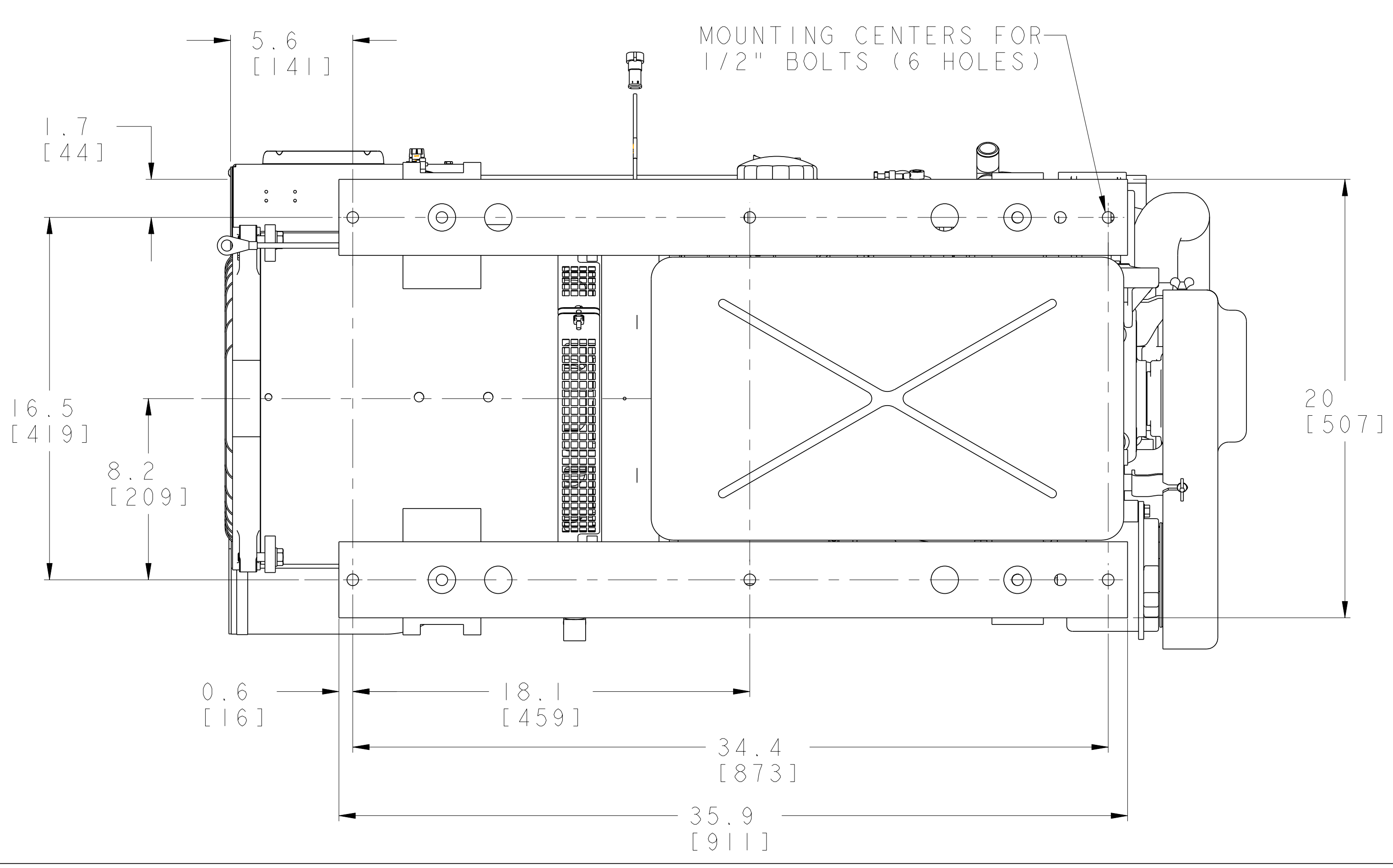
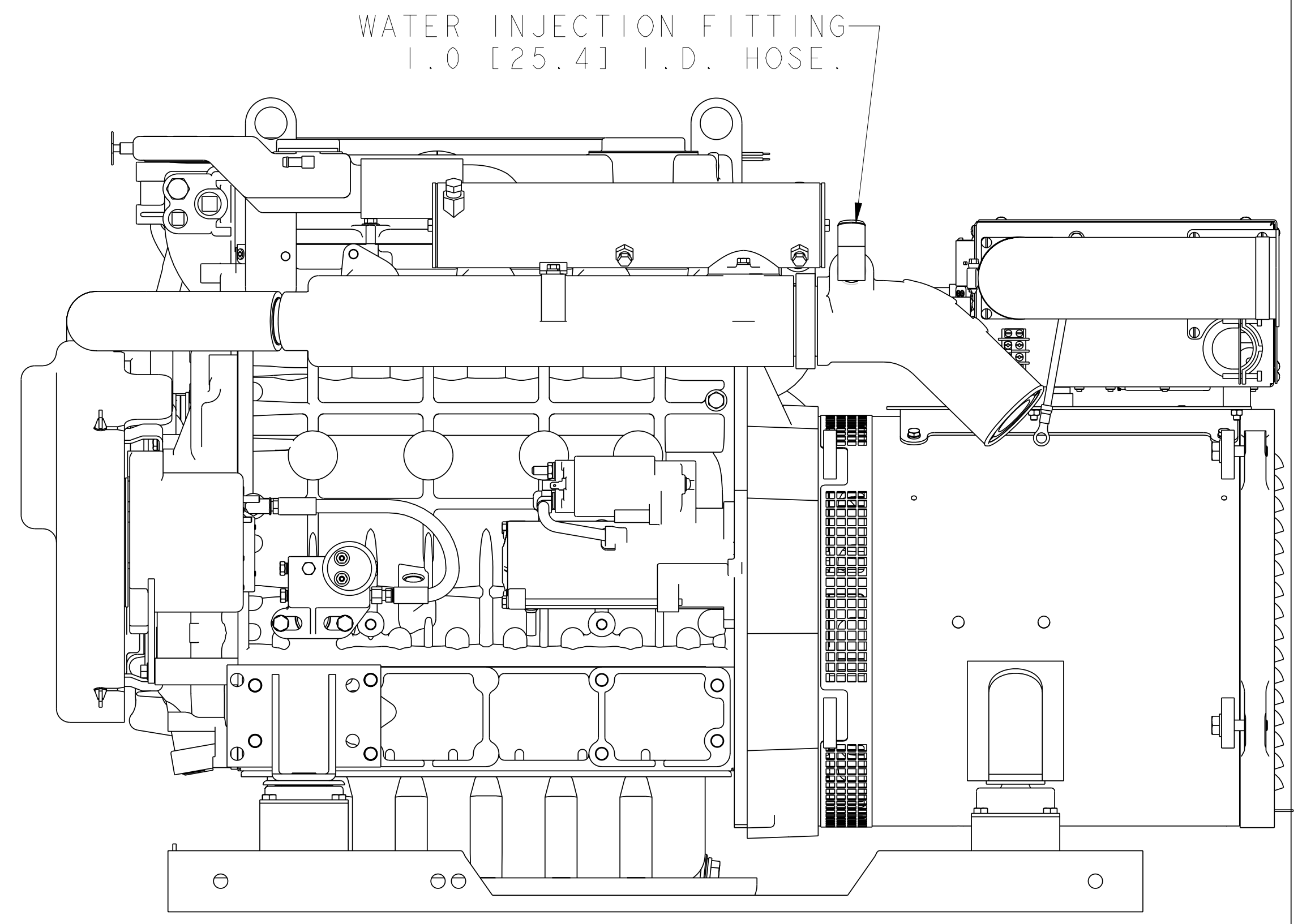
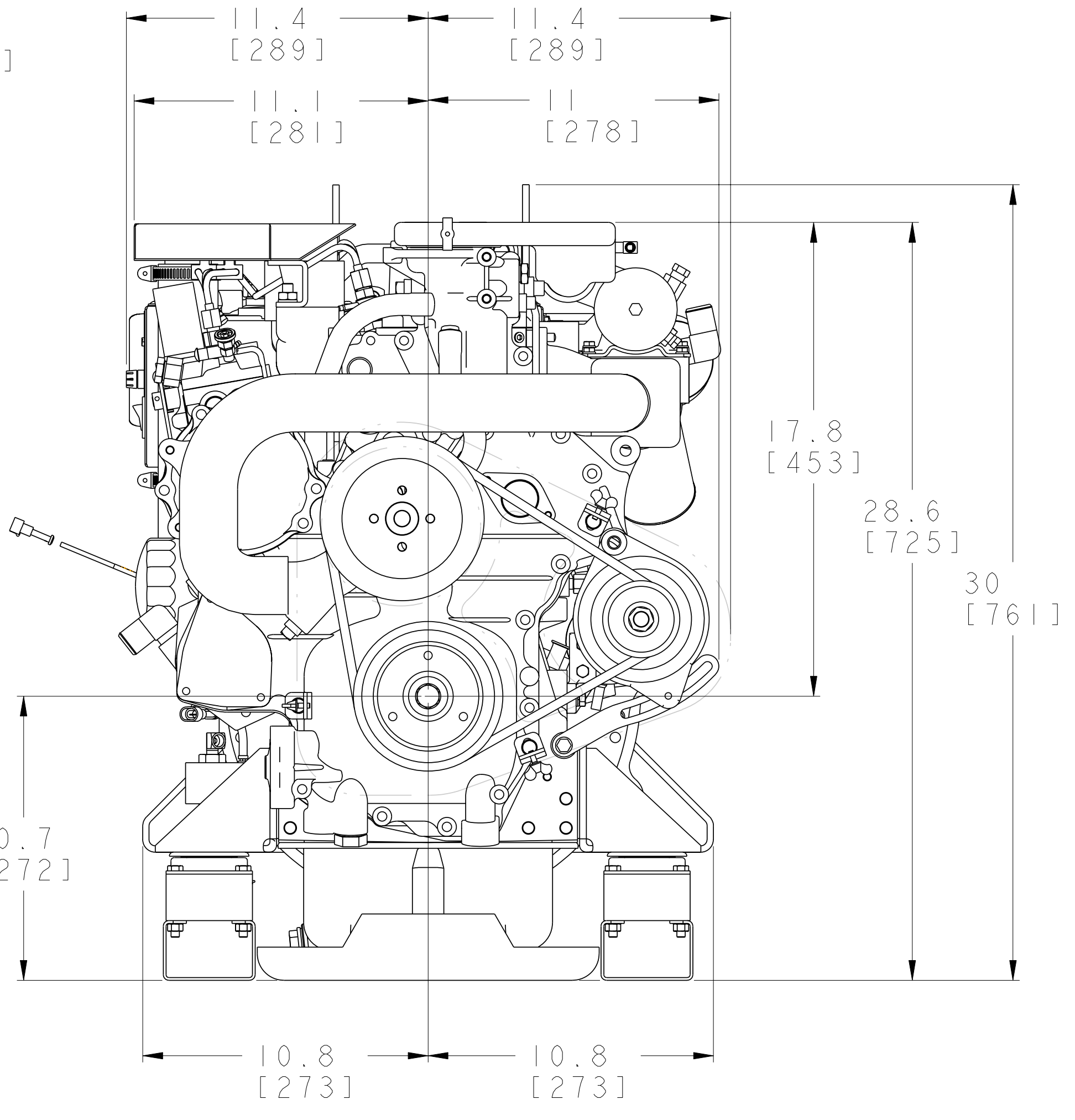
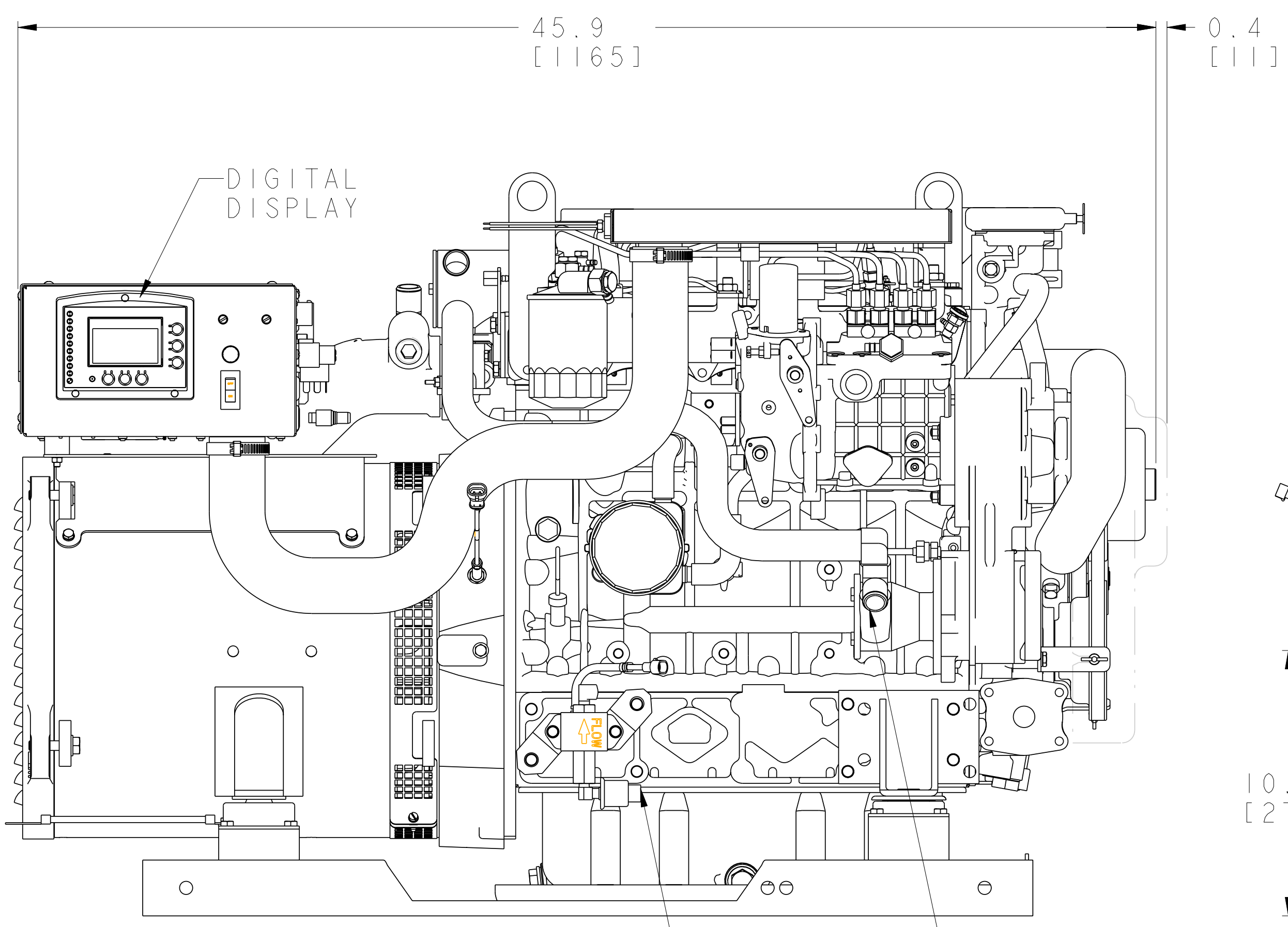
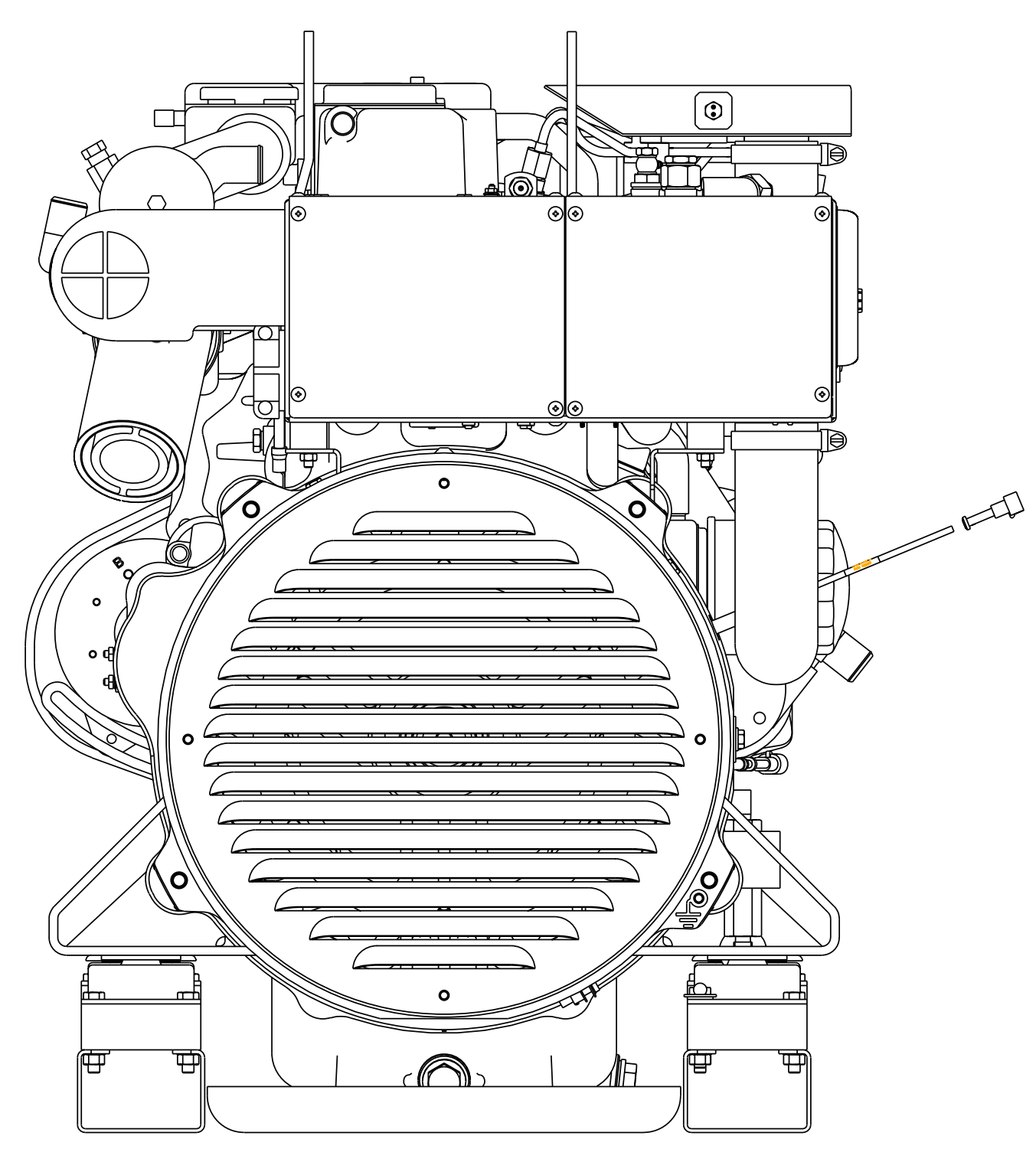
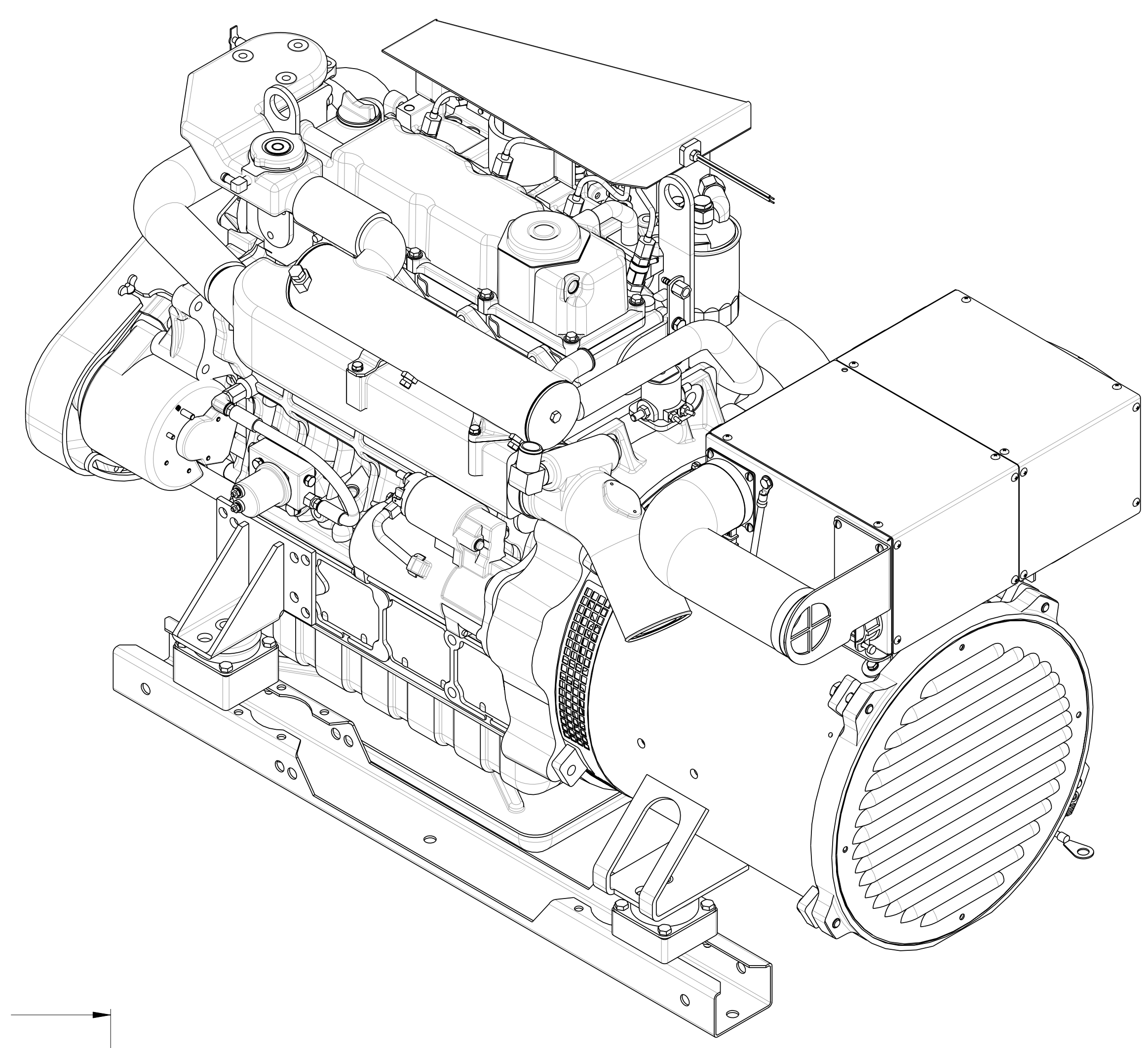
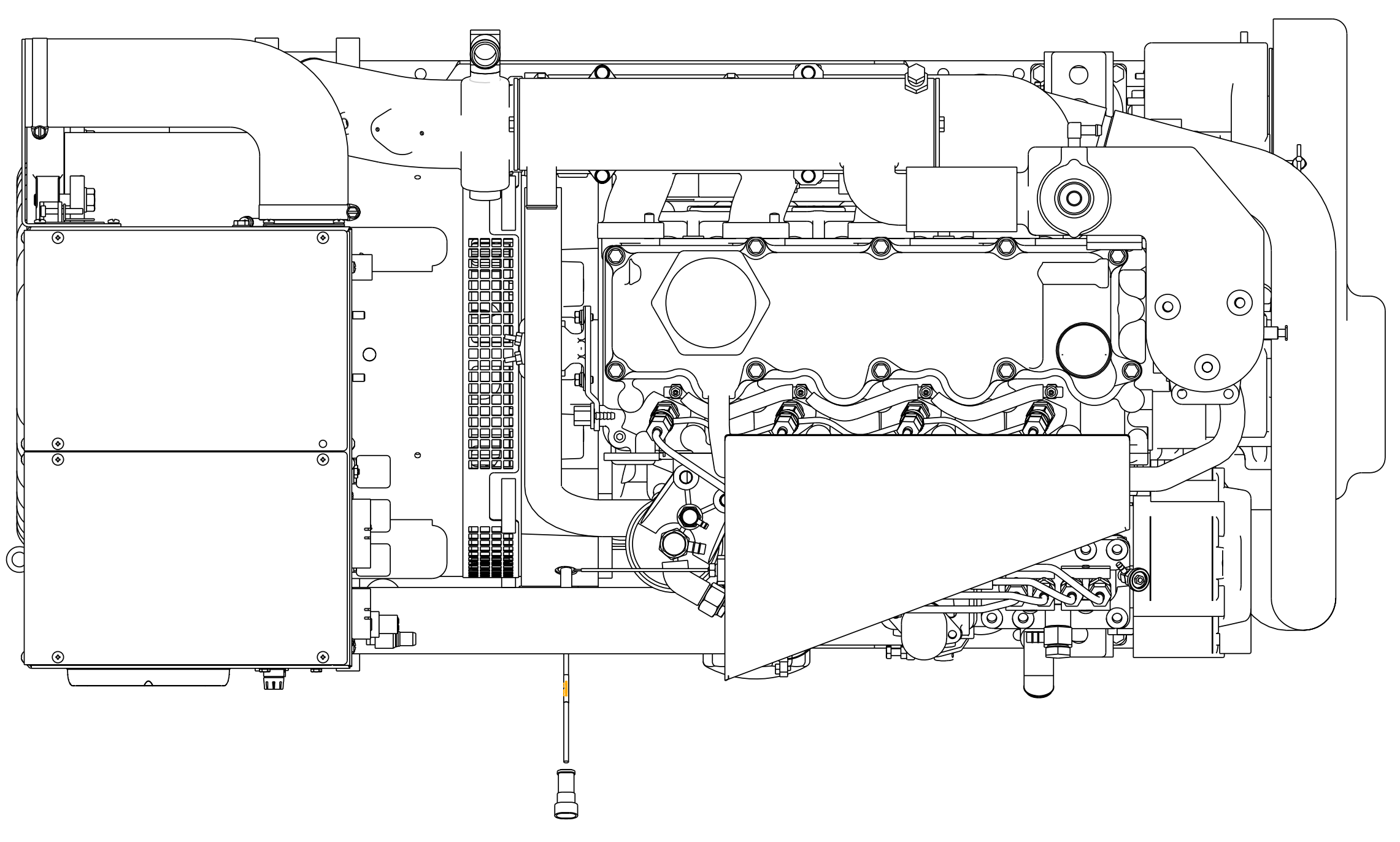


ECO NO.	DATE	REV.	REVISION RECORD	AUTH.	DR. BY
6595	1-26-09	A	UPDATE TITLE BOX WITH 25.5-28.5 EDE MODEL		GA
6801	1-11-15	B	ADD NEW MODELS "EDEA"		GA



- MODELS:**
- 25.5 EDE 60 Hz / 21.5 EDE 50 Hz
  - 28.5 EDE 60 Hz / 23.5 EDE 50 Hz
  - 33.0 EDE 60 Hz / 26.0 EDE 50 Hz
  - 28.5 EDEA 60 Hz / 23.5 EDEA 50 Hz
  - 33.0 EDEA 60 Hz / 26.0 EDEA 50 Hz

TOLERANCES (UNLESS OTHERWISE NOTED)		WESTERBEKE CORPORATION TAUNTON, MA 02780	
INCHES	MILLIMETERS	TITLE	
XX ± .02	X ± 1.0	25.5, 28.5, 33.0KW EDE 60Hz	
XXX ± .005	XX ± .5	INSTALLTION DRAWING.	
CAST ± .03	XX ± .13		
ANGLE ± .5°			
FINISH			
DIMENSIONS	APPROVED BY	DATE	MATERIAL
INCHES	DBS	07/Aug/06	
MILLIMETERS	DATE	SCALE	SIZE
(WHEN APPLICABLE)		1/4	E
		Sht. 1 of 1	53329